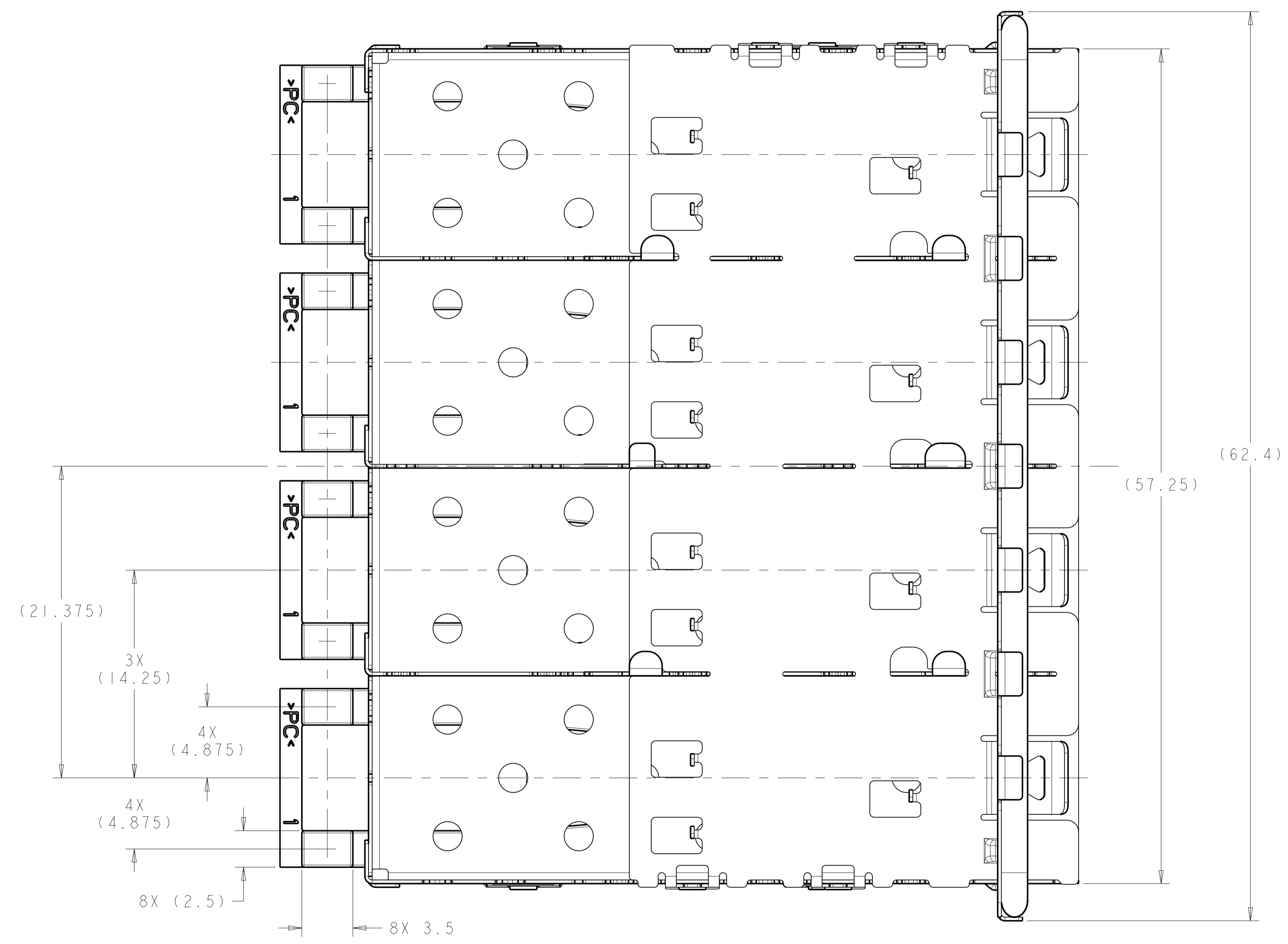
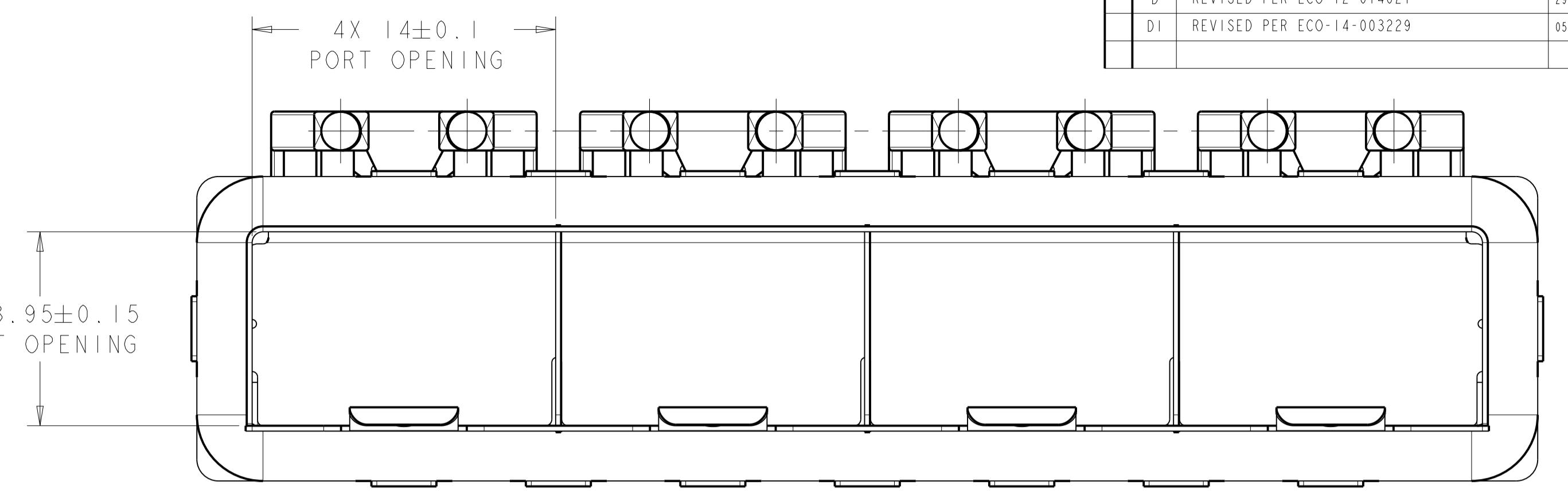
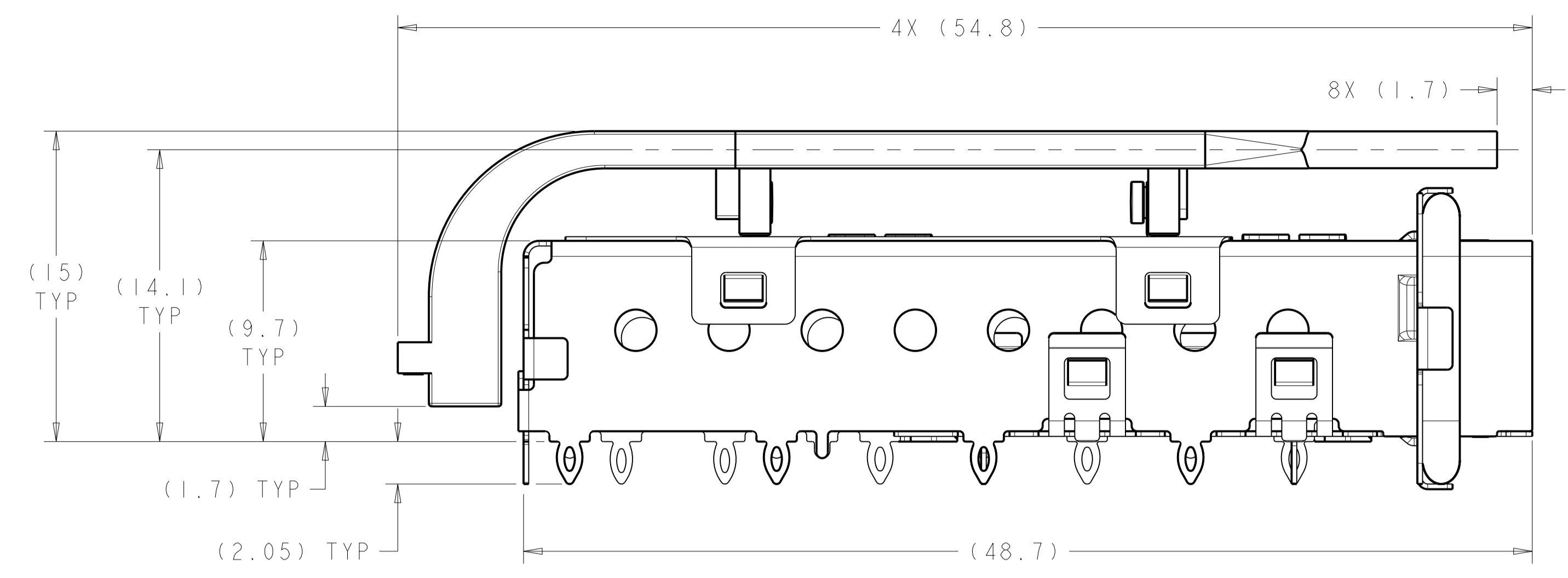
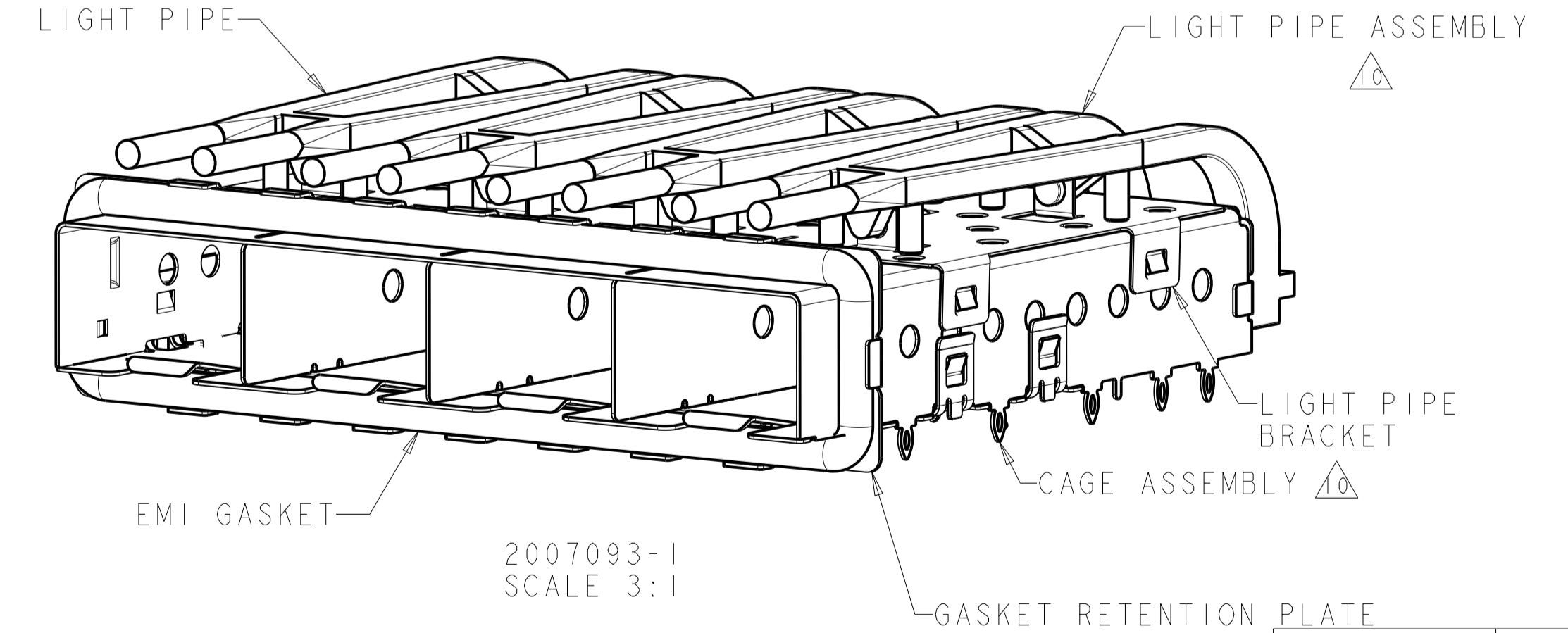


LOC	DIST	REVISIONS			
P	LTN	DESCRIPTION	DATE	DWN	APVD
C		REVISED PER ECO-10-004036	01MAR2010	CJV	MRS
D		REVISED PER ECO-12-014021	29SEP2012	TD	AC
D1		REVISED PER ECO-14-003229	05MAR2014	PP	SH



- MATERIAL:**  
 CAGE ASSEMBLY - 0.25mm THICK NICKEL SILVER ALLOY  
 GASKET RETENTION PLATE - STAINLESS STEEL  
 GASKET - PLATED FILLED SILICONE  
 LIGHT PIPE BRACKET - STAINLESS STEEL  
 LIGHT PIPE - POLYCARBONATE, CLEAR
- 2. MINIMUM PC BOARD THICKNESS = 1.50mm.
  - 3. PADS AND VIAS CHASSIS GROUND.
  - 4. DATUM AND BASIC DIMENSION ESTABLISHED BY CUSTOMER.
  - 5. MATES WITH SFP MSA COMPLIANT TRANSCEIVERS.
  - 6. INTERPRETATION OF DATUM REFERENCE FRAME IN ACCORDANCE WITH SECT 4.4.1.1 OF ASME Y14.5M-1994.
- 1. REFERENCE APPLICATION SPEC. 114-13120, HOLE A, FOR RECOMMENDED DRILL HOLE DIAMETER AND PLATING THICKNESS.
  - 2. REFERENCE APPLICATION SPEC. 114-13120, HOLE B, FOR RECOMMENDED DRILL HOLE DIAMETER AND PLATING THICKNESS.
  - 3. HOLE PATTERN REPEATS FOR EACH PORT. SPACING BETWEEN PORTS IS 14.25mm.
  - 4. LIGHT PIPE ASSEMBLY SHIPPED UNASSEMBLED TO CAGE ASSEMBLY. CAGE ASSEMBLY TO BE PRESSED INTO THE PCB PRIOR TO ATTACHING THE LIGHT PIPE ASSEMBLY TO THE CAGE.
11. PRODUCT COMPLIES WITH SPECIFICATION SFF-8433 IMPROVED PLUGGABLE FORM FACTOR FOR SFP+ GANGED CAGES.



2007093-1  
SCALE 3:1

51.30	2007093-2
53.10	2007093-1
LIGHT PIPE LENGTH	PART NUMBER

P/N:2007093-1 AS SHOWN

THIS DRAWING IS A CONTROLLED DOCUMENT.

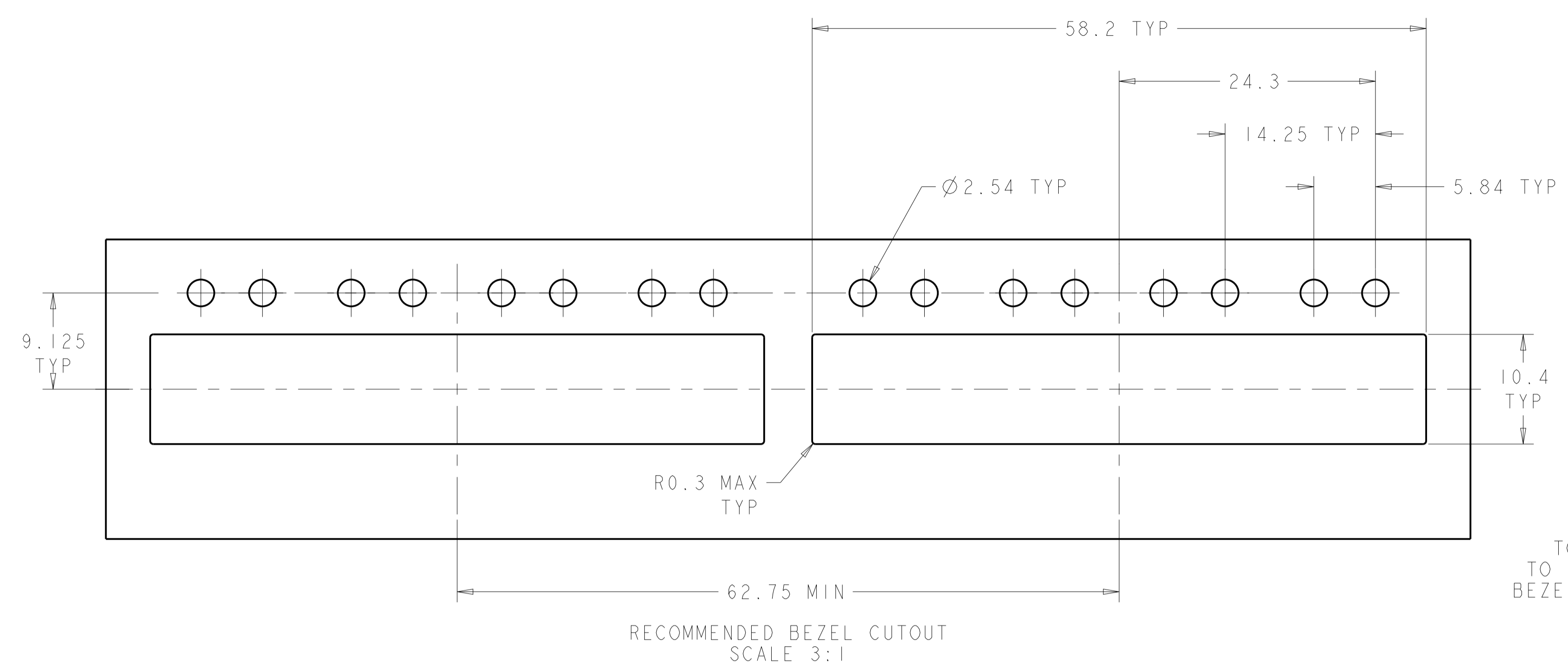
DIMENSIONS:	TOLERANCES UNLESS OTHERWISE SPECIFIED:	DWN: M. SCHMITT 21JUN2007	CHK: M. SCHMITT 21JUN2007	APVD: B. WERTZ 21JUN2007	NAME: SFP+ 1X4 CAGE ASSEMBLY PRESS FIT, EMI GASKET WITH LIGHT PIPES
mm	0 PLC ±0.1 1 PLC ±0.1 2 PLC ±0.1 3 PLC ±0.1 4 PLC ±0.1 ANGLES ±0.1	PRODUCT SPEC: 108-2364	APPLICATION SPEC: 114-13120	WEIGHT: -	SIZE: A1
MATERIAL:	FINISH: -	Customer Drawing	SCALE: 5:1	SHEET: 1 OF 3	REV: D1

Customer Drawing

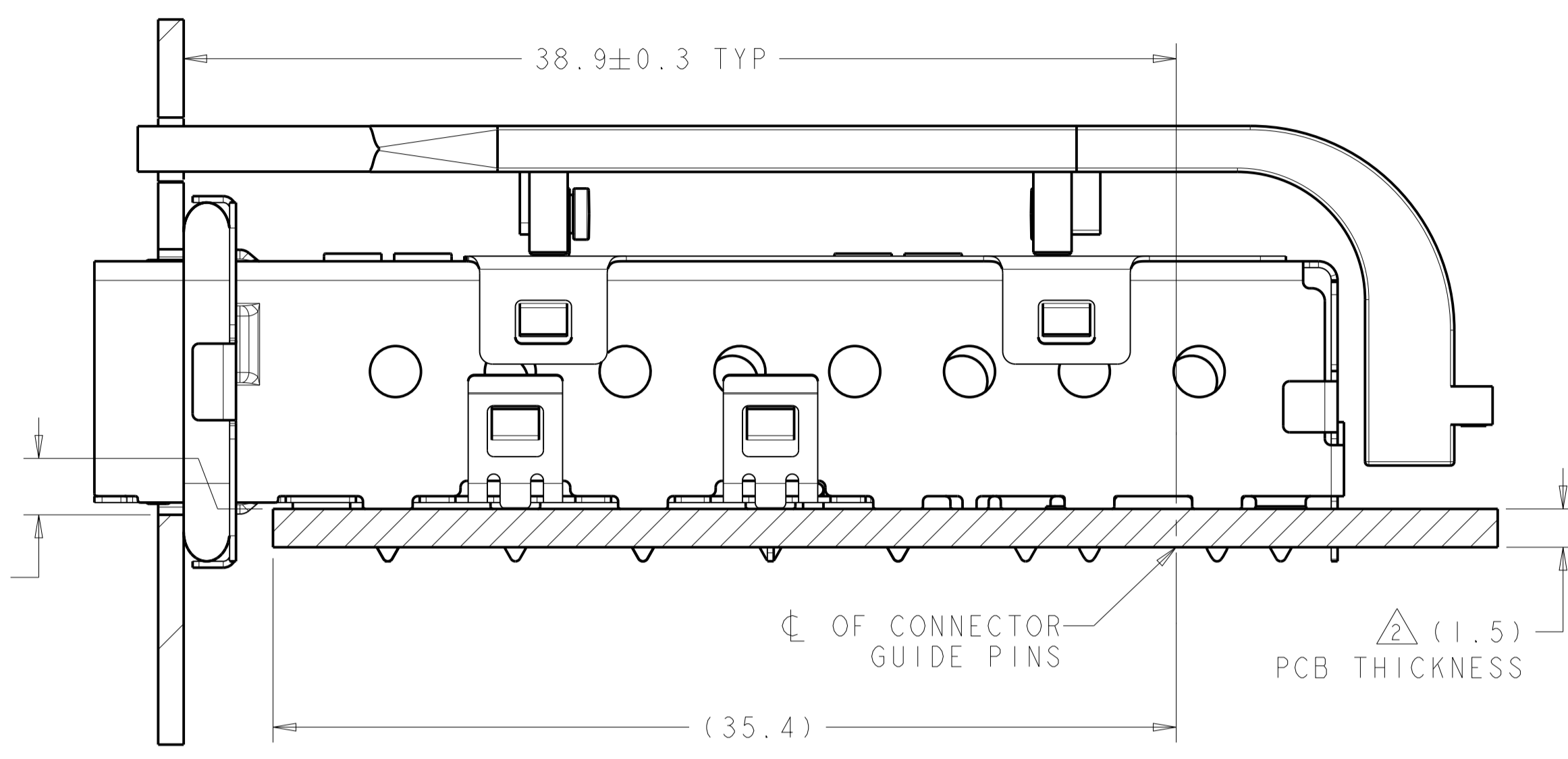
LOC	DIST	REV	DATE	BY	APPV
GP	00				

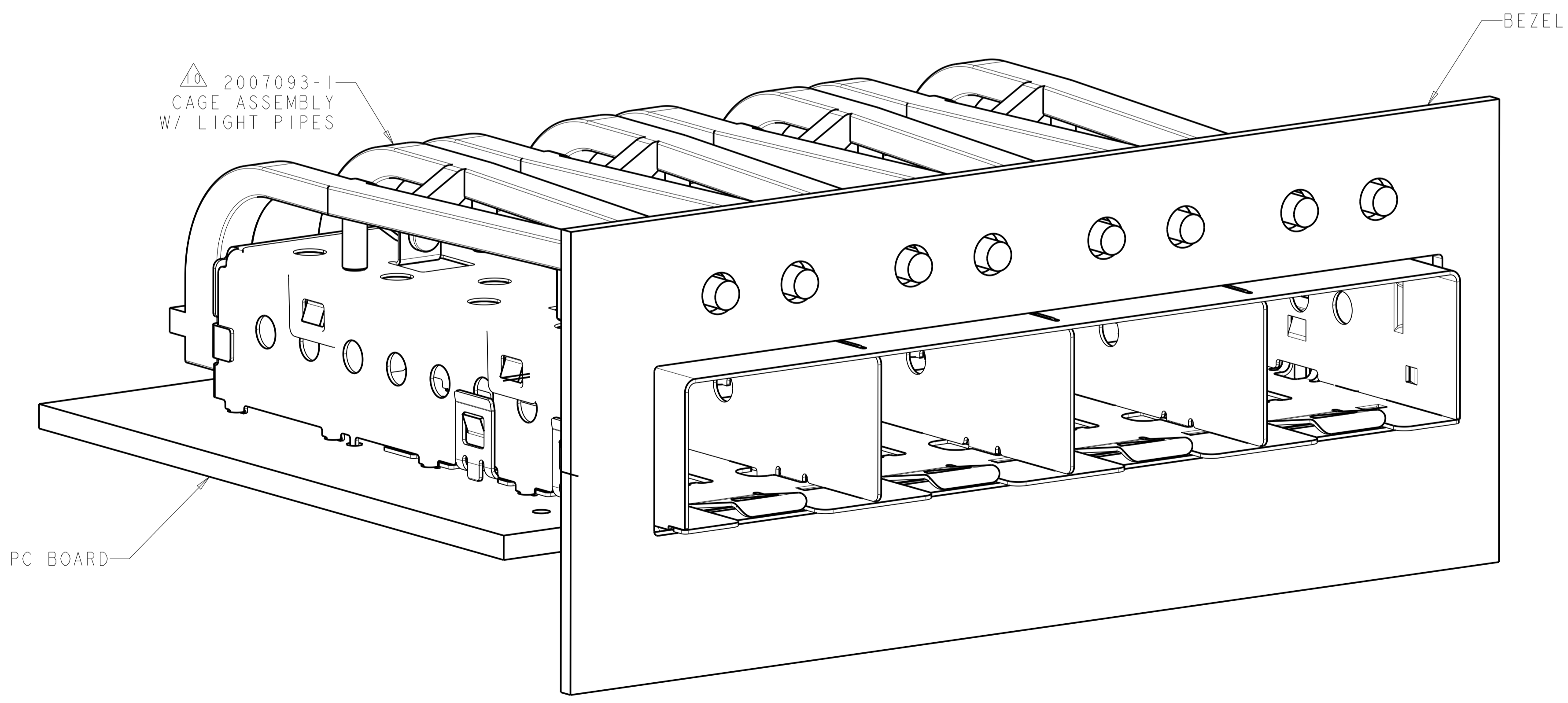
REVISIONS					
REV	DATE	BY	APPV	DESCRIPTION	DATE
-	-	-	-	SEE SHEET 1	-



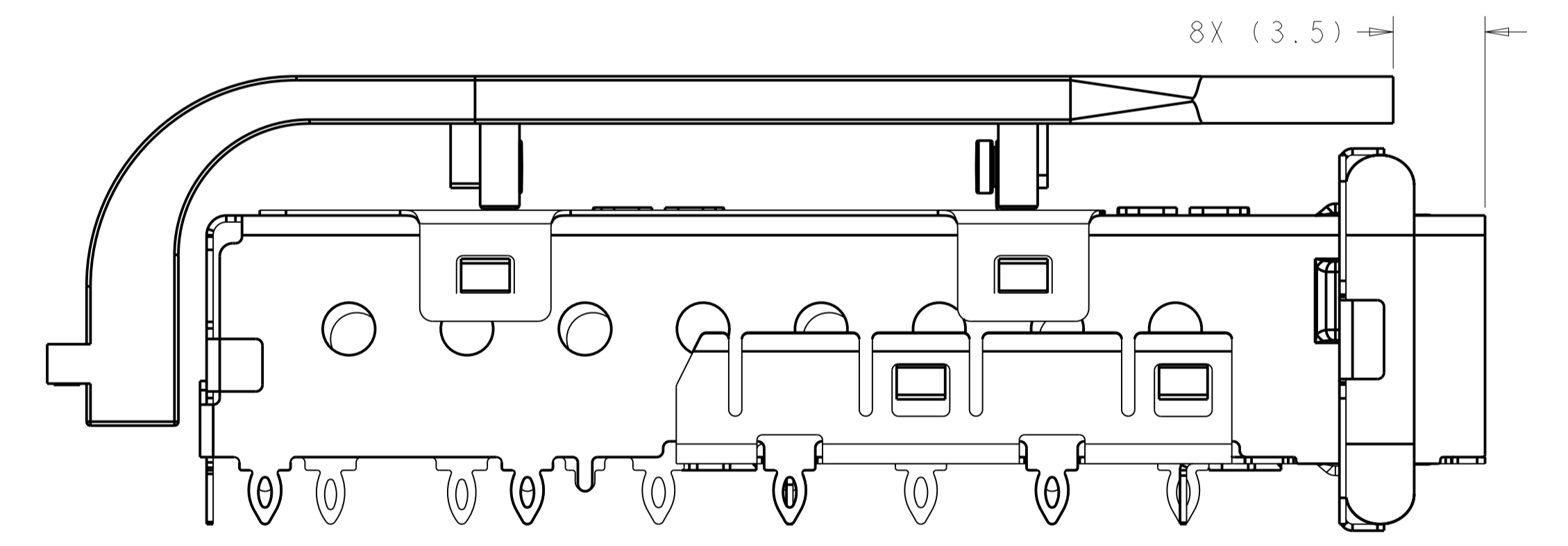
0.23<sup>+0.10</sup><sub>-0.14</sub>  
TOP OF PCB  
TO INSIDE OF  
BEZEL CUT-OUT



2007093-1  
MOUNTED ON PC BOARD SHOWN  
THRU RECOMMENDED BEZEL



2007093-1  
MOUNTED ON PC BOARD SHOWN  
THRU RECOMMENDED BEZEL



P/N:2007093-2 AS SHOWN  
UNSPECIFIED DIMENSIONS REFER TO PN 2007093-1

THIS DRAWING IS A CONTROLLED DOCUMENT.		OWN: M. SCHMITT 21JUN2007	TE Connectivity
DIMENSIONS: mm		CHK: M. SCHMITT 21JUN2007	
TOLERANCES UNLESS OTHERWISE SPECIFIED:		APPV: B. WERTZ 21JUN2007	
0 PLC ±0.1 1 PLC ±0.1 2 PLC ±0.1 3 PLC ±0.1 4 PLC ±0.1 ANGLES ±1°		NAME: SFP+ 1X4 CAGE ASSEMBLY PRESS FIT, EMI GASKET WITH LIGHT PIPES PRODUCT SPEC: 108-2364 APPLICATION SPEC: 114-13120 WEIGHT: - CAGE CODE: 100779 DRAWING NO: 2007093	
MATERIAL: -	FINISH: -	Customer Drawing	RESTRICTED TO: -
SCALE: 5:1			SHEET: 2 OF 3
REV: D1			

